

NON KIT ITEMS				
ITEM	PART NO.	ITEM	DESCRIPTION	QTY
	172446		COMPLETE REPLACEMENT PUMP	1
	172159		U-BOLT FOR WELDED ON JACK	1
	272942		OPTIONAL PLATFORM	1
	172184	21	STEEL BALL	1
	172147	23	ELASTIC CYLINDRICAL PIN $\phi$ 3X18	1
	172148	24	RELEASE VALVE BAR	1
	172485	54	SPRING PLATE	1
	172154	73	FORK	2

KIT ASSEMBLIES				
KIT	PART NO.	KIT COMPONENTS		
		ITEM	DESCRIPTION	QTY.
G*	172338	47	CHAIN COVER ASSEMBLY	
		47	DUSTPROOF COVER	2
H	172353		CHAIN KIT	
		40	SPLIT COTTER $\phi$ 3	1
		41	LOAD CHAIN CONNECTING BOLT	2
		42	LOAD CHAIN LINK	2
		43	LOAD CHAIN 10A	1
J	172464		JACK RELEASE KIT	
		9	NUT M10	1
		26	TORSIONAL SPRING	1
		27	SOCKET HEAD CAP SCREW M6X16	4
		28	NUT M6	4
		29	FIXED TUBE	1
		30	PRESSURE RELEASE LEVER	1
		31	KNOB M10	1
K	172463		FOOT PEDAL PUMP KIT	
		58	FOOT PEDAL BASE SHAFT	1
		58A	PUMP RING	1
		59	FOOT PEDAL ROLLER SHAFT	1
		60	ROLLER	1
		61	FOOT PEDAL BAR	1
		62	PEDAL CUSHION COVER	1
L	172418		CARRIAGE KIT	
		63	HEXAGON SOCKET HEAD SCREW M6X16	4
		64	SPACER	4
		65	SUPPORT ROLLER	4
		66	COPPER BUSH $\phi$ 18X1	4
M	172453		CHAIN COVER HARDWARE KIT	
		44	SOCKET PLAIN CAP SCREW	2
		45	SPRING WASHER	2
		46	PLAIN WASHER	2
		48	MOVABLE PULLEY MOUNTING BASE	1
		49	COPPER BUSH $\phi$ 15X1	2
		50	MOVABLE PULLEY	1
		51	SUPPORT SHAFT	1

\*NOTE: KIT G CHAIN COVER ASSEMBLY CONSISTS OF THE PLASTIC COVER. THIS ASSEMBLY CAN BE USED TO REPLACE THE CURRENT PLASTIC COVER OR THE IRON COVER.

KIT ASSEMBLIES				
KIT	PART NO.	KIT COMPONENTS		
		ITEM	DESCRIPTION	QTY.
A	172445		SEAL KIT	
		22	O-RING 7.5X1.8	2
		34	O-RING 31.5X3.55	1
		35	UNS SHAPE SEAL 25X33X6	2
		36	CYLINDER TOP COVER	1
		37	DUSTPROOF RING 25X33X4.5/6	1
		56	DUSTPROOF RING 18X26X4.5/6	1
		57	UNS SHAPE SEAL 18X26X6	1
B	172415		HANDLE KIT	
		1	HANDRAIL FRAME UNIT	1
		2	NUT M8	2
		3	SPRING WASHER $\phi$ 8	2
		4	PLAIN WASHER $\phi$ 8	2
		5	CYLINDER HOOP	1
		6	HEX BOLT M10X30	4
		7	PLAIN WASHER $\phi$ 10	4
		8	SPRING WASHER $\phi$ 10	4
		9	NUT M10	8
C	172170		CASTER KIT	
		10	HEX CAP NUT M20	2
		11	SPRING WASHER $\phi$ 20	2
		12	REAR SWIVEL CASTER (5"-M20)	2
D	172168		WHEEL KIT	
		14	CIRCLIP FOR SHAFT $\phi$ 12	8
		15	FRONT AXLE	2
		16	FRONT WHEEL SLEEVE	4
		17	FRONT WHEEL	2
E	172356		FOOT PEDAL KIT	
		61	FOOT PEDAL BAR	1
		62	PEDAL CUSHION COVER	1

THIS DRAWING IN ALL PARTICULARS IS WESCO INDUSTRIAL PRODUCTS, LLC PROPERTY. ALL RIGHTS OF DESIGN, INVENTION OR USE OF ARE RESERVED.

PRINT ISSUED

JAN 14, 2018

WESCO MANUFACTURING  
ENGINEERING DEPARTMENT

WESCO INDUSTRIAL PRODUCTS, LLC  
NORTH WALES  
PENNA. 19454

PART NAME STACKER: FORK TYPE  
VALUE LIFT VL47  
(MODEL MANUFACTURED AFTER 6/2013)

DRAWN:  
CHECKED:  
APP. ENGR.

TOLERANCE UNLESS OTHERWISE SPECIFIED

FRACTION 3 PLACE DECIMAL 2 PLACE DECIMAL

$\pm$  1/64  $\pm$  .005  $\pm$  .01

ANGULAR  $\pm$  1-1/2' SHEET 1 OF 2

BREAK ALL SHARP EDGES AND REMOVE ALL BURRS

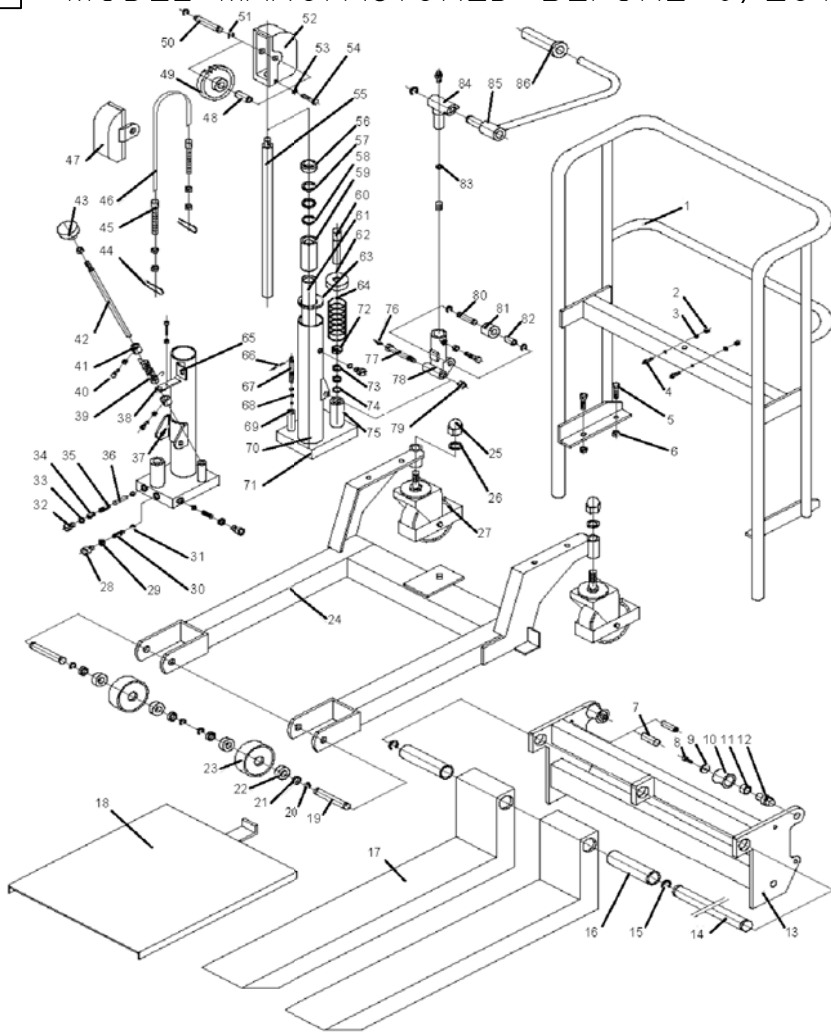
SCALE:

D - 272940

REV

272940

MODEL MANUFACTURED BEFORE 6/2013



NON KIT ITEMS			
ITEM	PART NO.	DESCRIPTION	QTY
	172164	JACK	1
	172159	U-BOLT FOR WELDED ON JACK	1
	272942	OPTIONAL PLATFORM	1
10	172483	ROLLING WHEEL	1
11		OIL FREE BEARING	1
66	172480	COPPER BUSH #18x1	1
67	172481	CIRCLIP FOR SHAFT #10	1
68	172482	COPPER BUSH #10x1.5	1

KIT ASSEMBLIES			
KIT	PART NO.	KIT COMPONENTS	
		ITEM	DESCRIPTION
H	172353	CHAIN KIT	
		44	SPLIT PIN
		45	CHAIN BOLT
		46	ROLLER CHAIN
J	172416	JACK RELEASE KIT	
		39	TORSION SPRING
		40	POSITIONING BOLT
		41	POSITIONING RING
		42	SINGLE DIRECTION VALVE POLE
		43	HANDLE
K	172417	FOOT PEDAL PUMP KIT	
		76	OIL CUP
		77	PUMP AXLE
		78	PUMP BASE
		79	NUT
		80	PUMP RING AXLE
		81	PUMP RING
		82	OIL FREE BEARING
		83	STEEL BALL
		84	AXLE SLEEVE
L	172418	CARRIAGE KIT	
		7	SHIELD PIN
		8	HEX BOLT
		9	WASHER
		10	ROLLING WHEEL
		11	OIL FREE BEARING
		12	ROLLING WHEEL AXLE
		13	FIXED RACK
		14	LONG AXLE
		15	SPLIT RING
		16	SLEEVE
	172460	INNER VALVE ASSEMBLY (FOR UNITS MANUFACTURED AFTER 2010)	
		66	CYLINDER PIN
		67	VALVE CORE
		68	O-RING

KIT ASSEMBLIES				
KIT	PART NO.	KIT COMPONENTS		
		ITEM	DESCRIPTION	QTY.
A	172355	SEAL KIT		
		56	DUST PROOF RING	1
		57	O-RING	2
		58	NYLON RING	1
		72	DUST PROOF RING	1
		73	O-RING	1
		74	NYLON RING	1
B	172415	HANDLE KIT		
		1	SLIDEWAY HANDRAIL	1
		2	NUT	2
		3	WASHER	2
		4	INTERNAL HEX BOLT	2
		5	HEX BOLT	4
		6	NUT	4
C	172170	CASTER KIT		
		25	NUT	1
		26	INTERNAL TEETHED LOCK WASHER	1
		27	BACK WHEEL	1
D	172168	WHEEL KIT		
		19	FRONT WHEEL AXLE	1
		20	SPLIT RING	2
		21	WASHER	2
		22	BEARING	2
		23	FRONT WHEEL	1
E	172356	FOOT PEDAL KIT		
		85	FOOT STEP LEVER	1
		86	RUBBER GLOVE	1
F	172358	CHAIN WHEEL KIT		
		48	OIL FREE BEARING	1
		49	CHAIN WHEEL	1
		50	CHAIN WHEEL AXLE	1
		51	SPLIT RING	1
*G	172338	CHAIN COVER ASSEMBLY		
		47	CHAIN COVER (PLASTIC)	1
		52	CHAIN COVER (PLASTIC)	1

\*NOTE: KIT G CHAIN COVER ASSEMBLY CONSISTS OF THE PLASTIC COVER. THIS ASSEMBLY CAN BE USED TO REPLACE THE CURRENT PLASTIC COVER OR THE IRON COVER.

THIS DRAWING IN ALL PARTICULARS IS WESCO INDUSTRIAL PRODUCTS INC. PROPERTY. ALL RIGHTS OF DESIGN, INVENTION OR USE OF ARE RESERVED.

PRINT ISSUED

JAN 14, 2018

WESCO MANUFACTURING  
ENGINEERING DEPARTMENT

WESCO INDUSTRIAL PRODUCTS INC.

NORTH WALES

PENNA. 19454

PART NAME  
STACKER: FORK TYPE  
VALUE LIFT VL47  
(MODEL MANUFACTURED BEFORE 6/2013)

DRAWN:

CHECKED:

APP. ENGR.

TOLERANCE UNLESS OTHERWISE SPECIFIED

FRACTION 3 PLACE DECIMAL 2 PLACE DECIMAL

± 1/64 ± .005 ± .01

ANGULAR ± 1-1/2° SHEET 2 OF 2

BREAK ALL SHARP EDGES AND REMOVE ALL BURRS

SCALE:

D - 272940

REV